

Cutter C 100-31

New !



The ideal Cutter for train, aeroplane and heavy rescue requirements.

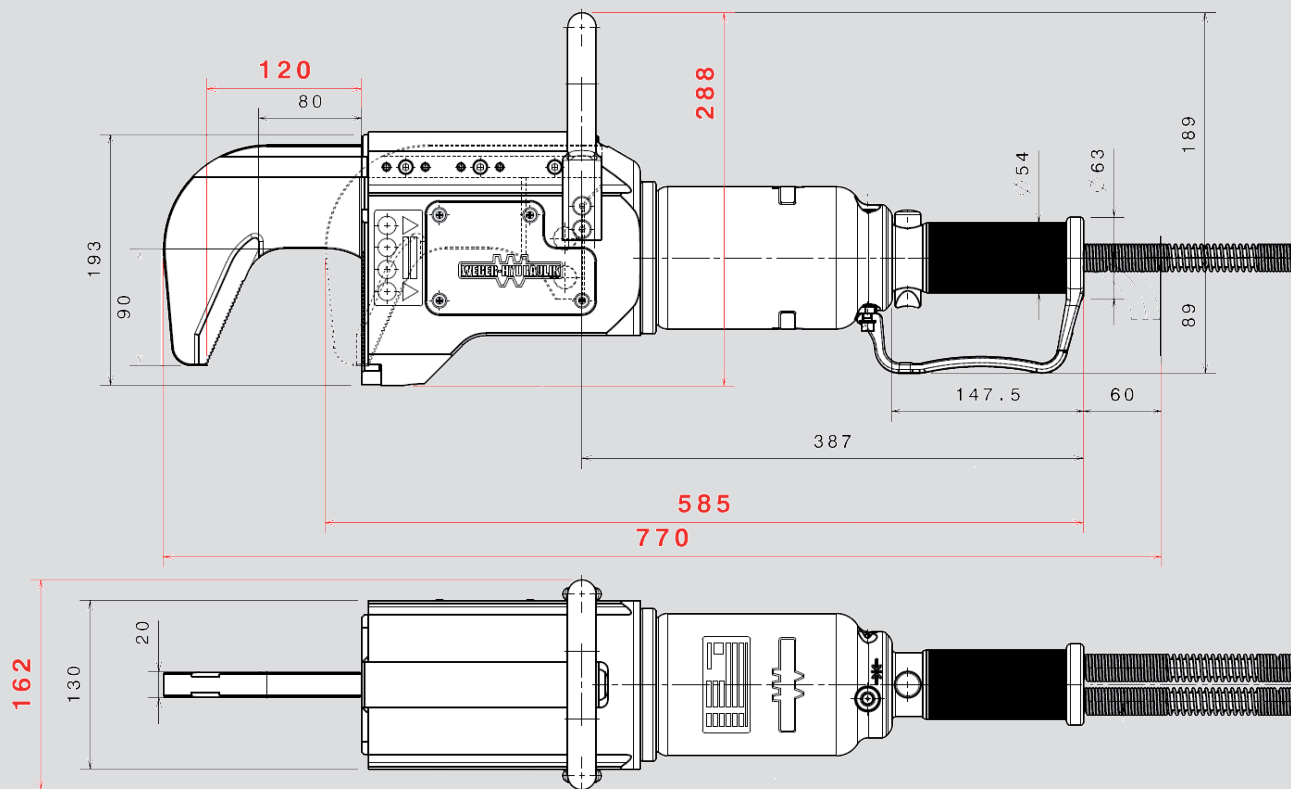
- Specialised tool for continuous cutting
- Surplus material is automatically removed
- Special serrated surface for aggressive perfect cutting
- Cylinder body and housing made of high strength aluminium alloy with wear resistant surface
- Unique WEBER-control for fine-tuned precision handling



Experience expert knowledge.

Cutter

C 100-31



Cutting force	308 kN
Opening	120 mm
Weight	19,5 kg
EN-class	AC120-C-20
NFPA-class	A4/B3/C5/D6/E6
Teile-Nr.	593.519.9

* according EN 13204 at 700 bar

WEBER-HYDRAULIK GmbH

Heilbronner Straße 30
74363 Güglingen/Germany
Telephone +49 (0)7135/71-270
Fax +49 (0)7135/71-396
info@weber.de
www.weber-hydraulik.com

Industriegebiet 3 + 4
4460 Losenstein/Austria
Telephone +43 (0)7255/6237-0
Fax +43 (0)7255/6274
office@weber-hydraulik.at
www.weber-hydraulik.at

WEBER-HYDRAULIK

Experience expert knowledge.