

**TECHN. DATEN (TECHNICAL DATA):**

NENNDRUCK (NOMINAL PRESSURE)  $P_N$  ..... 70 MPa (700bar)  
 PRÜFDRUCK (TEST PRESSURE)  $P_p$  ..... 84 MPa (840bar)  
 GEWICHT (WEIGHT) ..... 20,5 kg  
 (INKL. 0,3m SCHLÄUCHE U. KUPPLUNGEN; INCL. 0,3m HOSES AND COUPLINGS)  
 ÖLBEDARF (REQUIRED OIL VOLUME) ..... 0,17 l

**ZUBEHÖR (ACCESSORIES):**

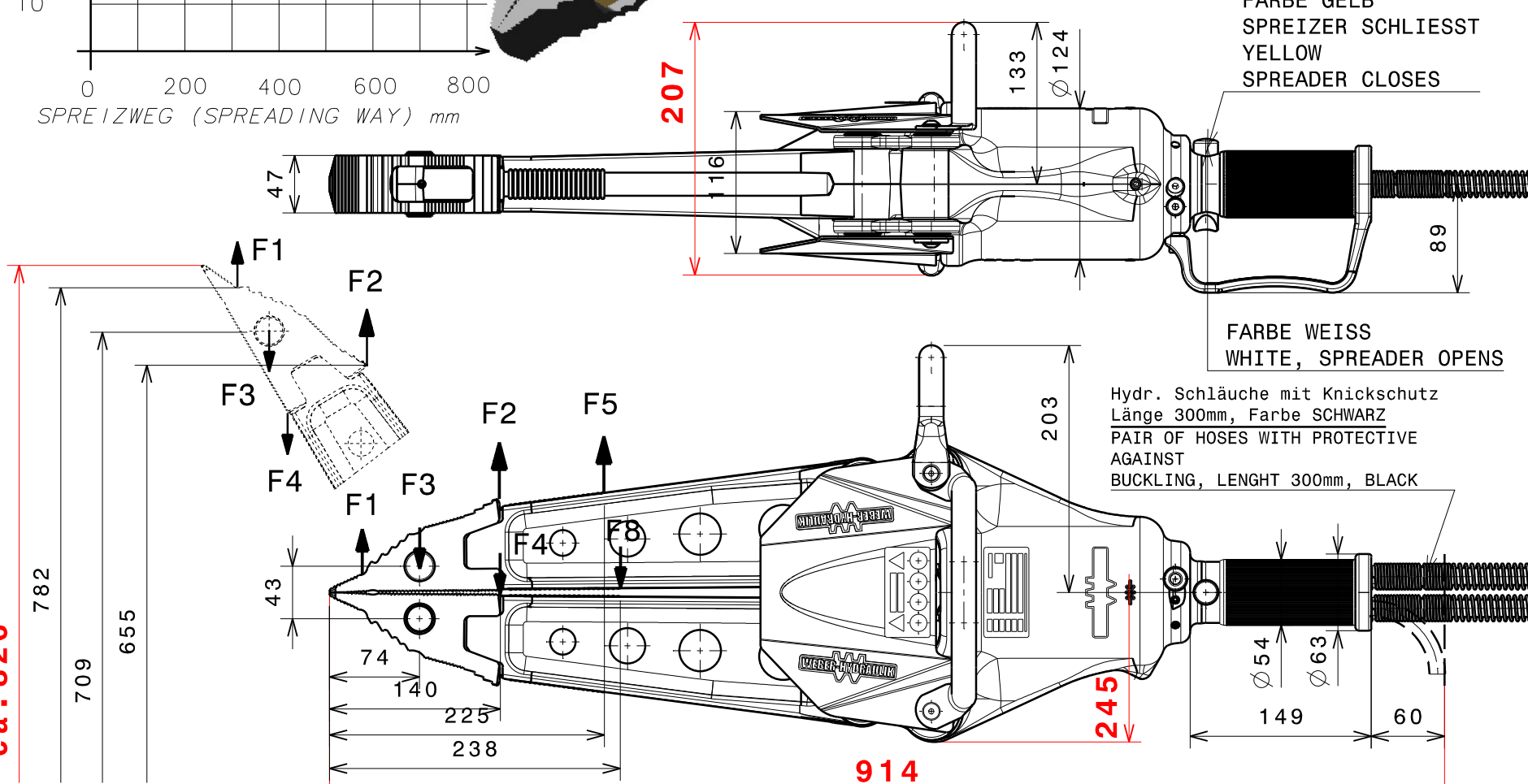
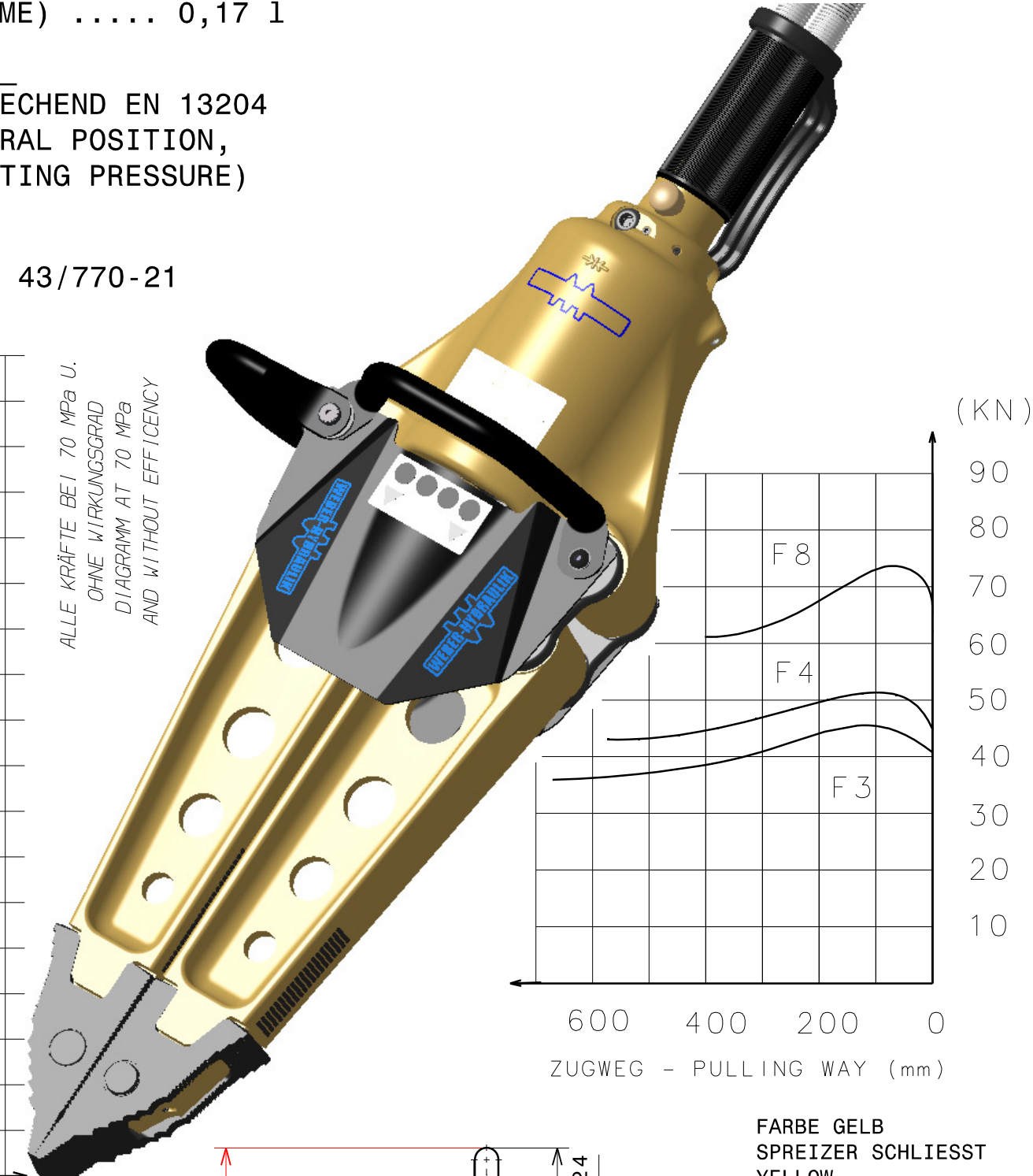
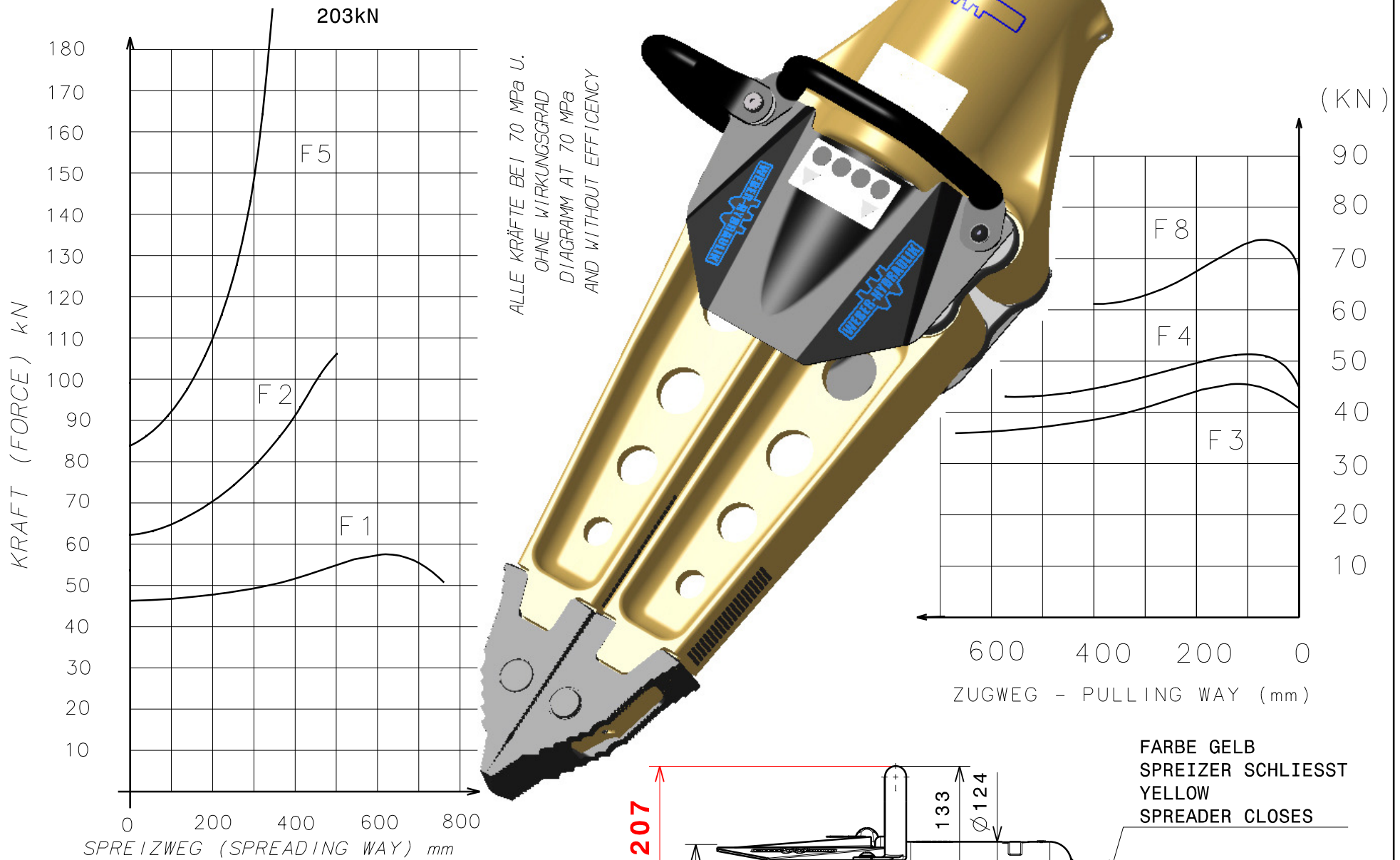
KETTENSATZ (PULLING CHAIN)  
 1,80m .... 281913.9  
 2,25m .... 282998.3

**STEUERUNG (SAFETY FEATURES)**

SICHERHEITSSCHALTUNG ENTSPRECHEND EN 13204  
 (WHEN CONTROL KNOBS IN NEUTRAL POSITION,  
 OIL CIRCULATES WITHOUT EXERTING PRESSURE)

**Klasse (CLASS):**

EN 13204 (EDITION 03/2005) .. AS 43/770-21



AEND.-NR.: 09043  
AEND.DATUM: 27.04.09  
GEZ.: KST  
GES.: KST  
DAT.: 20.11.08

FREIMASSTOLERANZEN (GENERAL TOLERANCES)	LAENGENMASS (LENGHT) mm	...50	50...250	250...1000	1000...	WINKELMASS (ANGLE)	...180°
	TOLERANZ (TOLERANCE) mm	±1,5	± 2,0	± 3,0	± 5,0	TOLERANZ (TOLERANCE)	±10°