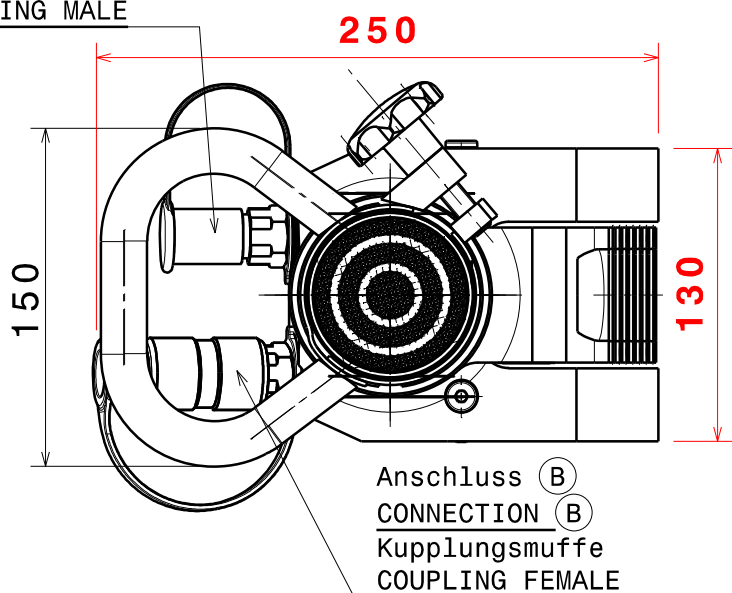
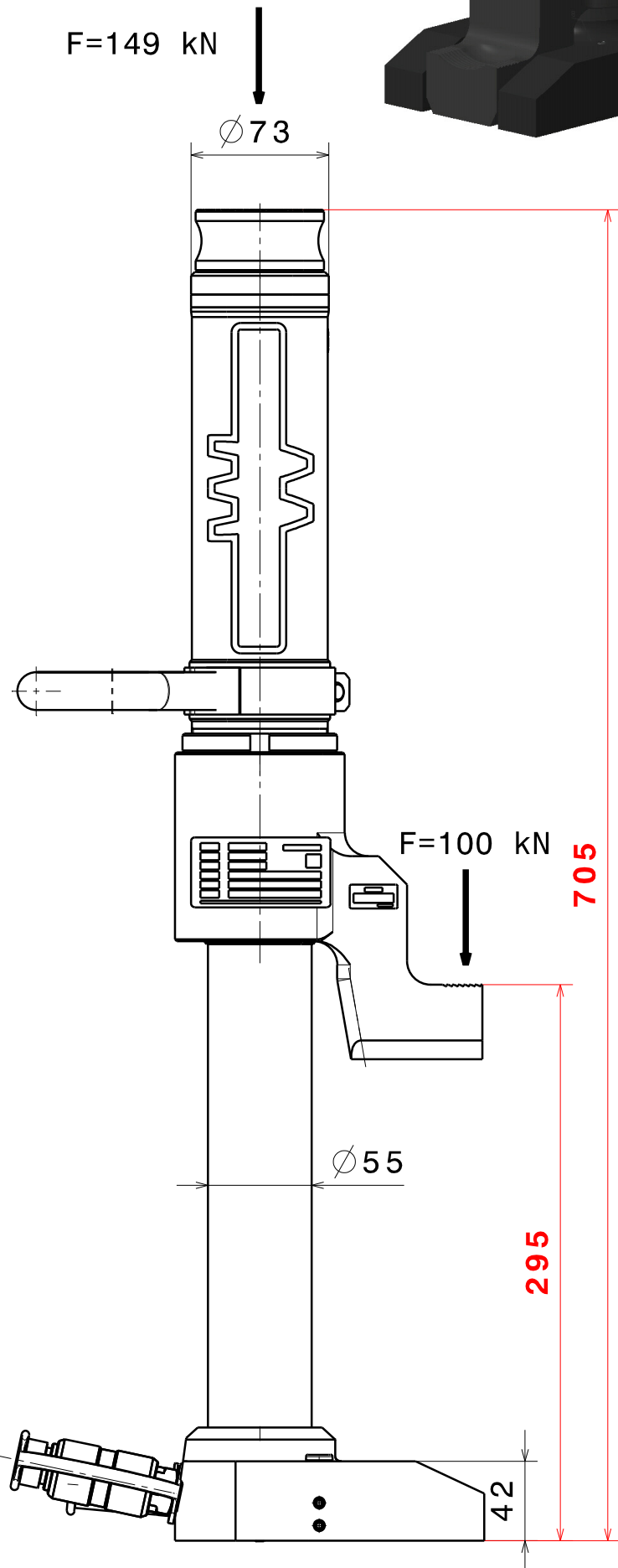
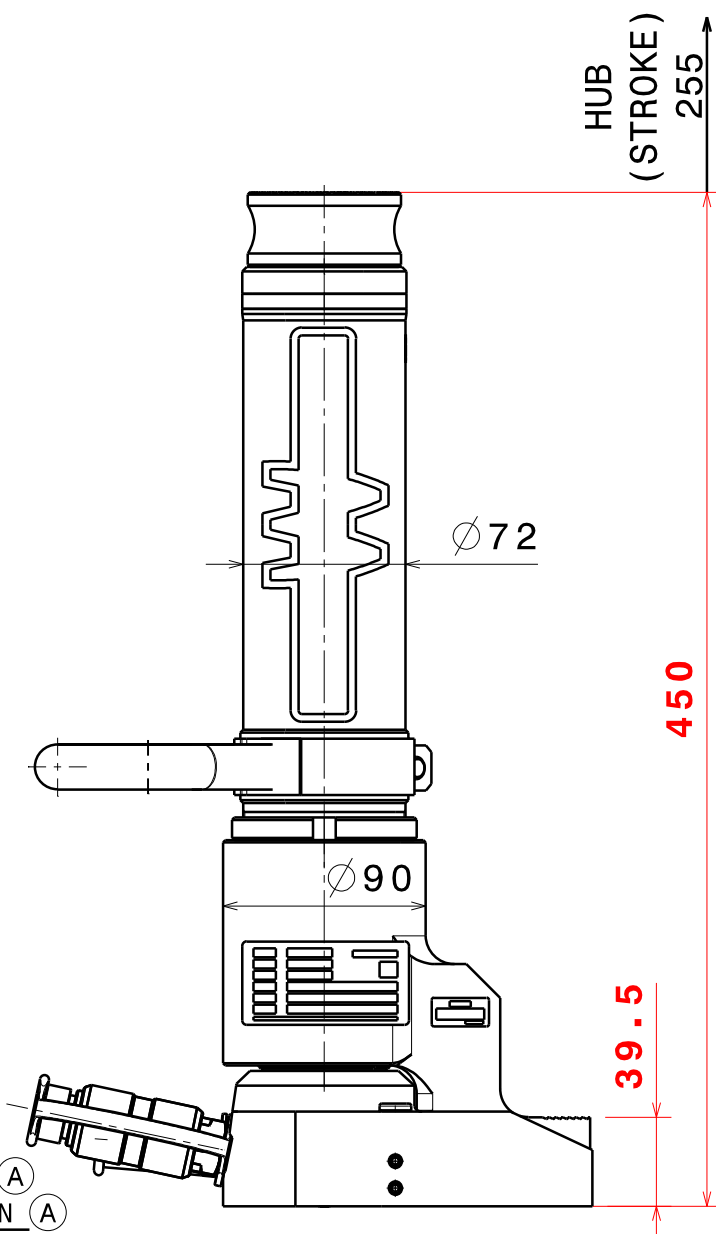
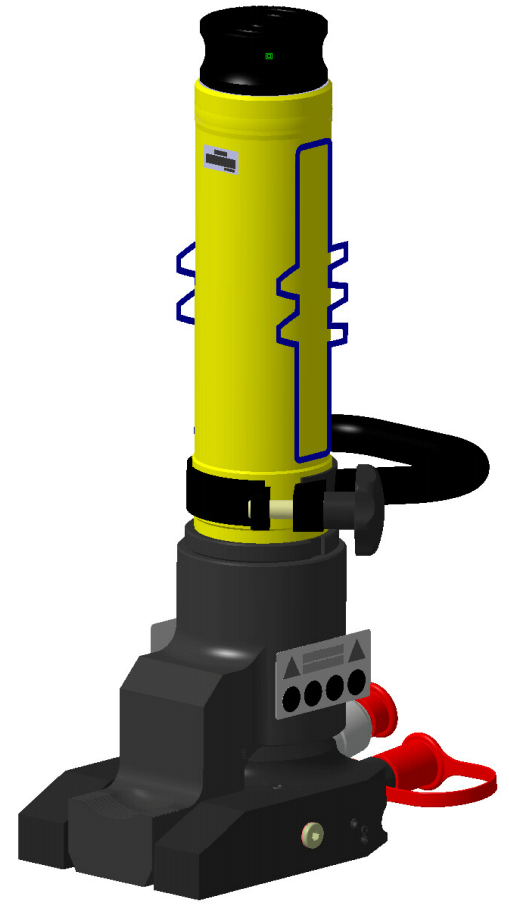


TECHN. DATEN (TECHNICAL DATA):

NENNDRUCK (NOMINAL PRESSURE) pN.....700 bar (70 MPa)
 PRÜFDRUCK (TEST PRESSURE) pP.....840 bar (84 MPa)
 MAX. DRUCKKRAFT (max. PUSHING FORCE)...149,0 kN
 GEWICHT (WEIGHT).....20,9 kg
 HUBVOLUMEN (PISTON DISPLACEMENT).....0,6 l



AEND.-NR.: 04055 GEZ.: SIN GES.: JSC
 AEND.DATUM: 10.01.05 DAT.: 10.01.05

FREIMASSTOLERANZEN (GENERAL TOLERANCES)	LAENGENMASS (LENGTH) mm	...50	50...250	250...1000	1000...	WINKELMASS (ANGLE)	...180°
	TOLERANZ (TOLERANCE) mm	±1,5	± 2,0	± 3,0	± 5,0	TOLERANZ (TOLERANCE)	±10°